



“Execution of special geotechnical works”
“Exécution des travaux géotechniques spéciaux”
“Ausführung von Arbeiten im Spezialtiefbau”

CEN/TC 288

Date:
2015-06-29

Doc. Number:
N 648

Assistant:
Raïssa WANDJI
Phone: +33 1 41 62 81 26
raissa.wandji@afnor.org

Your contact:
Stefan Jehanno
Phone: +33 1 41 62 84 99
stefan.jehanno@afnor.org

Presentation of the work on “Concrete cover” Presentation of Mr Gilbert for the CEN/TC 288 plenary meeting (25/26 June 2015 - Stockholm)

COMMENTARIES

Please find attached the presentation of the work on the issue of the concrete cover (nominal or minimum) presented at the CEN/TC 288 plenary meeting held in Stockholm on 25 and 26 June 2015.

SOURCE

Mr Christian Gilbert (Chairman of CEN/TC 288).

FOLLOW UP

For information.

DEFINITION OF COVER : MINIMUM OR NOMINAL (1/4)

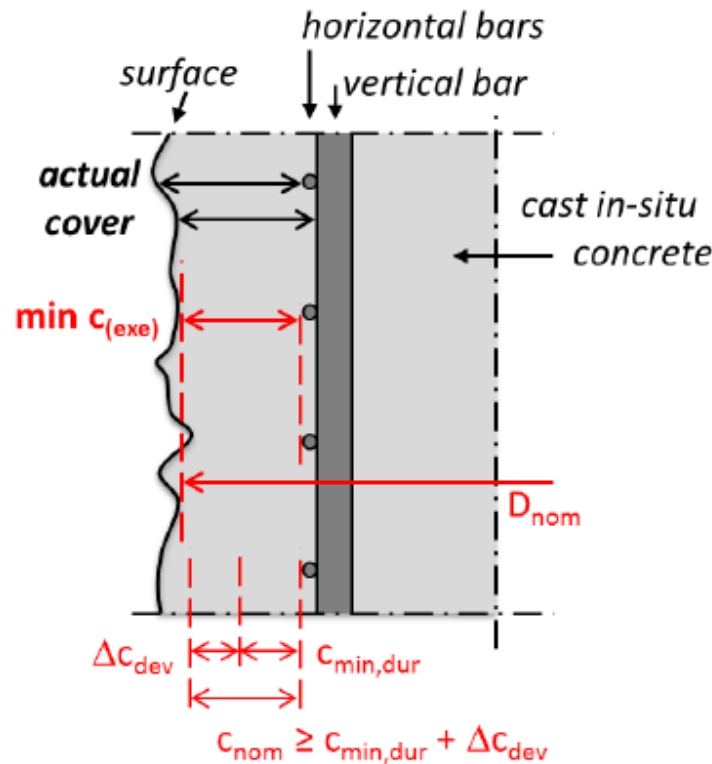


FIGURE 2.1 – concrete cover in deep foundations

From EN 1536 & 7.7.3

Spacers shall be provided to ensure that the correct free flow cover is maintained

Different requirements are mixed :

- reinforced concrete requirements**
- durability**
- execution**

General phenomena :

- overbreak**
- filter cake**



DEFINITION OF COVER : MINIMUM OR NOMINAL (3/4)

For the final product :

- shall satisfy concrete cover quality
(compacity, strength, permeability, ..)**
- shall satisfy RC rules and durability**

Proposal for future standard revisions in TC288 :

From EN1536 clause 7.7.4 it is indicated that 40mm cover (to external part of the casing) can be used if a permanent casing is used.

This means that space for concreting do not need more than 40mm.

If we state that D_{Cdev} is 35mm (when spacers are put adequately) then C_{nom} is 75mm.

Cover shall be increased if $C_{durability}$ is larger than 40mm